



YARNART COTTON FUSION  
ARMOUR-STITCH BLOUSE

▶ P A T T E R N ◀



YarnArt | PATTERN  
STUDIO

[www.yarnart.info](http://www.yarnart.info)



3657

- YARN** : YARNART COTTON FUSION 3657 - 5 pcs
- NEEDLES** : Worked with two different needle sizes: one 3.5 mm needle and one 7 mm needle.
- BUTTONS** : 7 buttons
- SIZE** : S
- STITCH PATTERN** : ARMOUR STITCH

Using 7 mm needles, cast on 80 stitches and begin with the back panel.  
The stitch count must be an even number.

**Row 1:** Work with 3.5 mm needles. Slip 1 stitch purlwise, knit 2 stitches.

**When knitting the knit stitches, insert the needle through the center of the stitch and push it toward the back, not through the edge/legs of the stitch. This part is very important.**

Continue to the end of the row as 1 purl, 1 knit. Knit stitches are worked as described above; purl stitches are worked normally.

**Row 2:** Work with 7 mm needles. Following the stitch pattern, work again as 1 purl, 1 knit using the larger needles. Knit stitches are always worked through the center of the stitch; purl stitches are worked normally.

From this point on, the entire piece is worked alternating 1 row with 3.5 mm needles and 1 row with 7 mm needles. (DIAGRAM 2)

For measurements, refer to DIAGRAM 1.

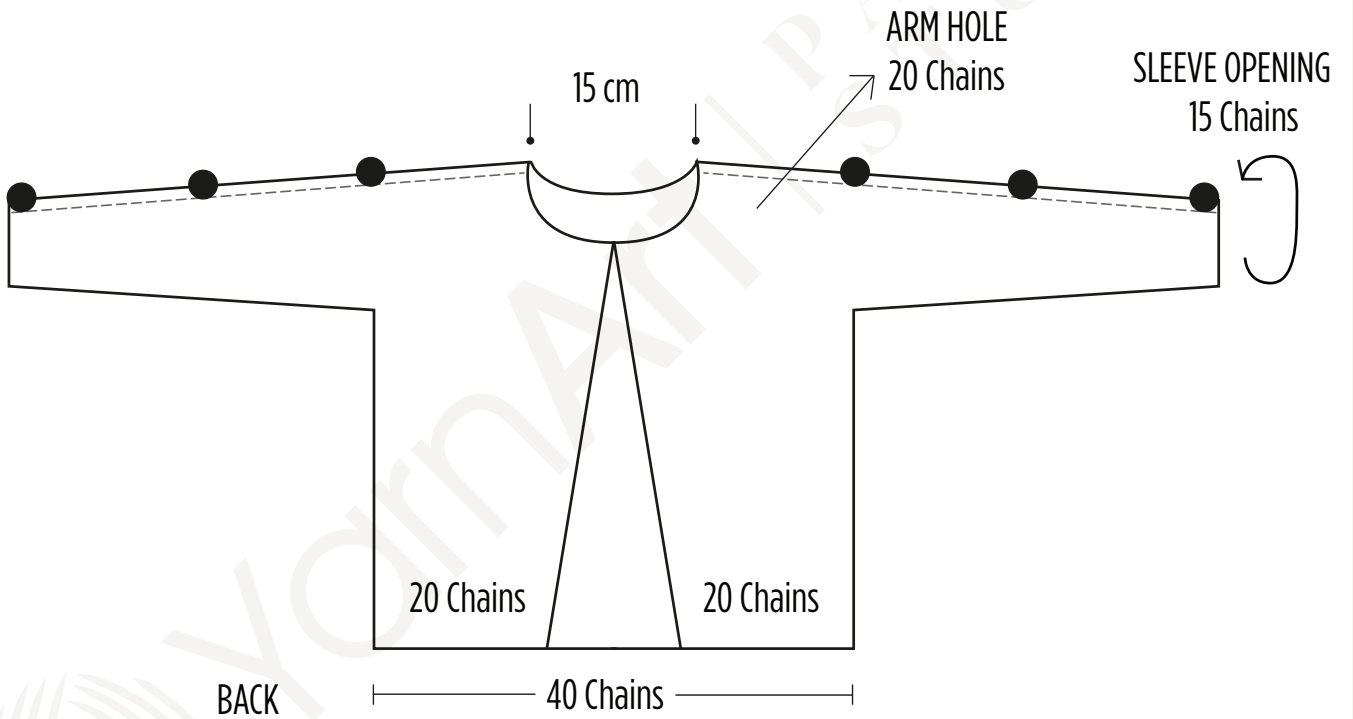
**Front Panels:** Same as the back panel. Using 7 mm needles, cast on 20 stitches and work in the same way to complete 2 pieces.

**Sleeves:** Begin from the underarm with 7 mm needles and work in the same way. Work for 20 cm with no increases or decreases. Then, evenly spaced across the row, bind off 5 stitches in total (1 stitch at each spacing) and finish the sleeves at 40 cm.

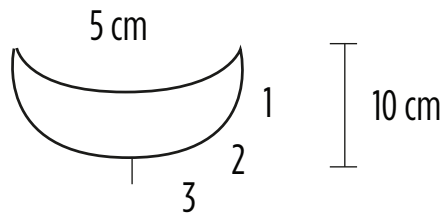
The garment is completed by joining 5 pieces: 1 back panel, 2 front panels, and 2 sleeves.  
Sew 3 buttons onto each sleeve, and sew 1 button onto the section where the front panels join at the top.

Happy knitting. 😊

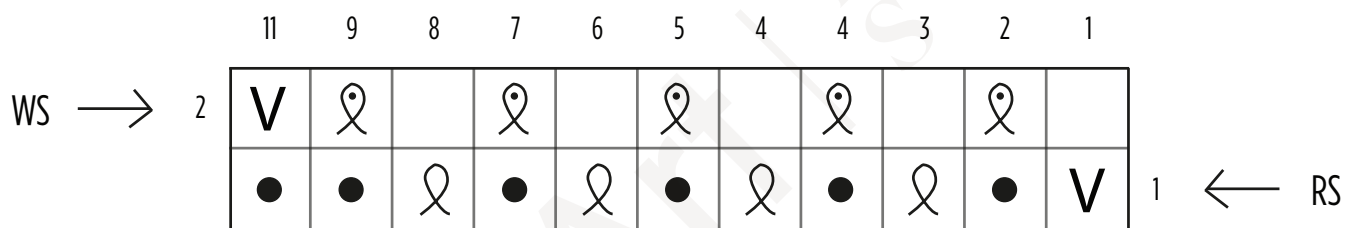
# DIAGRAM 1



## NECK



## ARMOUR STITCH PATTERN



knit  
**RS:** knit stitch  
**WS:** purl stitch

● purl  
**RS:** purl stitch  
**WS:** knit stitch

⤵ knit/purl stitch through back loop  
**RS:** knit stitch through back loop  
**WS:** purl stitch through back loop

⤵ knit/purl stitch through back loop  
**RS:** purl stitch through back loop  
**WS:** knit stitch through back loop

V slip  
 slip the edge stitch

**Note:** This pattern uses knitting needles of two different sizes.  
 CO with the larger size needle and make the first row with the smaller needle, and so on.